



UNISPLIT HS

POMPE DI CALORE

La nuova **UNISPLIT_HS** con l'impiego della tecnologia inverter unitamente ai motori DC brushless assicura una altissima efficienza energetica globale sia per l'abbattimento del consumo specifico di ogni motore, che per l'elevata capacità di modulazione. L'impiego esteso di queste tecnologie a tutti i componenti si traduce in elevati valori di COP e di EER con un consistente incremento delle efficienze ai carichi parziali (ESEER).

HEAT PUMP

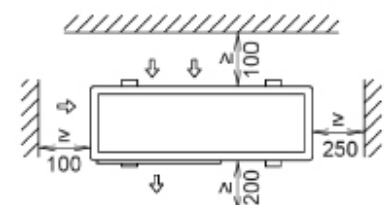
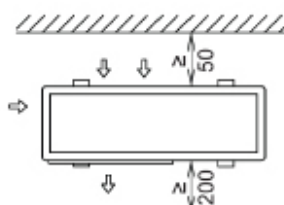
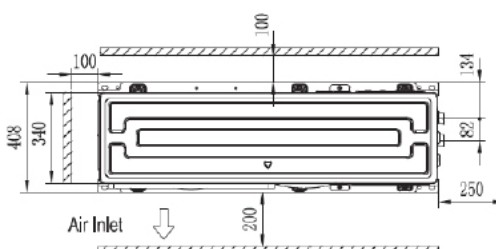
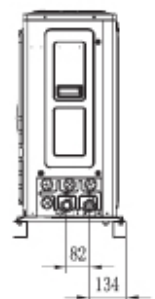
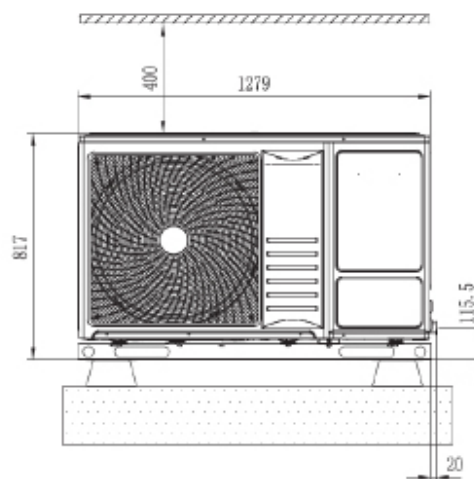
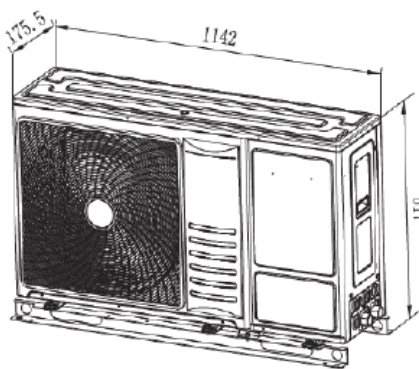
New **UNISPLIT_HS** with the inverter technology employment together with DC brushless motors ensures higher global energetic efficiency of equipment also thanks to high and effective modulating power. The employment extension to all components gives the COP and EER improvement and a substantial increase of partial loads efficiency (ESEER).



DC-INVERTER

A+++

8 kW ÷ 11 kW



SISTEMI IBRIDI E POMPE DI CALORE

UNISPLIT_HS		Unità Units	AHZ-044HCDS1	AHZ-080HCDS1
Power		kW	8	11
Power supply		V/Ph/Hz	220-240/1/50	220-240/1/50
Heating 2	CAPACITY	kW	7.0	11.0
	COP		5.0	4.31
Heating 3	CAPACITY	kW	6.0	9.0
	COP		2.9	2.75
Cooling 4	CAPACITY	kW	6.3	9.1
	EER		5.41	5.07
Cooling 5	CAPACITY	kW	5.1	7.2
	EER		3.83	3.46
Seasonal space heating energy efficiency class 6	WATER OUTLET @ 35°C		A+++	A+++
	WATER OUTLET @ 55°C		A++	A++
Sound power level 7	HEATING	dB (A)	61	64
	COOLING	dB (A)	61	61
Dimension (WxHxD)		MM	815X1270X340	815X1270X340
Net/Gross weight		KG	88/102	88/102
Compressor	TYPE		ROTARY	ROTARY
Refrigerant	TYPE		R32	R32
	CHARGED VOLUME	KG	1.17	1.21
Ambient temperature range (Heat pump)	COOLING	°C	5-46	5-46
	HEATING	°C	-25-35	-25-35
	DOMESTIC HOT WATER	°C	-25-40	-25-40
Water outlet temperature range	COOLING	°C	5-26	5-26
	HEATING	°C	15-60	15-60
	DOMESTIC HOT WATER	°C	15-55	15-55

Outdoor air temperature 7° DB, 85% R.H.; EWT 30°, LWT 35°

Outdoor air temperature 7° DB, 85% R.H.; EWT 40°, LWT 45°

Outdoor air temperature 35° DB; EWT 23°, LWT 18°

Outdoor air temperature 35° DB; EWT 12°, LWT 7°

Seasonal space heating energy efficiency class tested in average climate conditions.

Sound power level tested in average climate conditions,
heating outdoor air temperature 7° DB, 6° WB; EWT 47°, LWT 55°;
cooling: outdoor air temperature 35° DB, 24° WB; EWT 12°, LWT 7°.

Vedi Pagina 69 del catalogo per info sull'assistenza.



SCARICA
LA SCHEDA TECNICA

MADE IN ITALY
dal 1978



REV. 24.00_04_SH